



# NATIONAL JUDGES NEWSLETTER

Issue 44

July 2004

**Dear Judges,**

Once again it was time for re-accreditation, and it is pleasing to see how many judges continue to be active, and that a number of judge candidates had fulfilled the requirements for accreditation as National Judges.

A full list of all officials (National Judges, National Judge Candidates and Directors of Shooting) can be found later in this issue.

I wish you a successful and rewarding time.

Warm regards to you all

Susanne E Womersley

## **New E-mail address**

Please take note that my new e-mail address is [officials@archery.org.au](mailto:officials@archery.org.au) - please change in your address books.

On that note: Please inform me and your RGB administrator, if you change your e-mail address. We had several instances, where people did not get important information, because the RGB administrator and/or I had old addresses.

## **Judges Feedback at the Open National Championships**

At the Open Nationals, about a dozen randomly selected competitors were asked to fill in a feedback form about the judges commission, asking them to evaluate knowledge of rules, attitude towards competitors as well as dress, grooming and deportment of the officiating judges.

On compiling the answers, it was pleasing to note that most replies put the judge in the "Outstanding" or "Good" category. Ladies and gentlemen, keep up the good work!

## **Judges list for 2004 – 2008**

All officials are National Judges, unless otherwise indicated.

**AACT:** Stuart Atkins, Michael Turner, Kevin Watts

**ASA:** Junior Alexander, Carol Ashlee, Jim Beatty, Gretel Dabovich, Andrew Hartup, Graham Jones, Margaret Kuchel, Bruce Lang, Peter Mantell, Glenn Martin, Jeff Nicoll, Wendy Norris, Deb Upright (NJC), Robert Welden

**ASNSW:** Bob Armstrong (DoS), Don Beal, Tim Castle (NJC), John Chaplin, Brian Cotter (DoS), Robert DeBondt, Bruce Dillon, Wayne Goodman, Paul Eastment (NJC), Andrew Henderson (NJC), Stephen Jankovic (NJC), Jim Larven, Kim Melit (DoS), Vicki O'Brien, Ken Payne

**AST:** Grant Diers, Murray Frith, Eric Hermanis (NJC), Donna Mee, Emerson Mee, Tom Stephens (NJC)

**ASWA:** Clive Barnett (IJ), Coral Dandridge (NJC), Ian May, Chris McGarraghy, Bill Nicholson, Keith Schurman, John Turner

**AV:** Peter Bennett, Holger Blum (IJ), Alan Carter (NJC) Ed Crowther, Sandra Elliott, Merv Grinstead, Fred Koepler, Donald McLeish (DoS), Jim Whelan (DoS), Terry Williams, John Womersley (IJ), Susanne Womersley (IJ)

**NQAA:** Terrie Neilson, Darren Parker, Warren Royal, John Skewes, Irene Wilson

**SQAS:** Helen Austin (NJC), Gavin Bicknell, Earl Coughran, Gene Goldby, Alison Hagaman (NJC), Kerry Sykes, William Sykes, Jack Taylor

## **Indoor Target Archery – Procedure for determining the value of arrows (by John Womersley)**

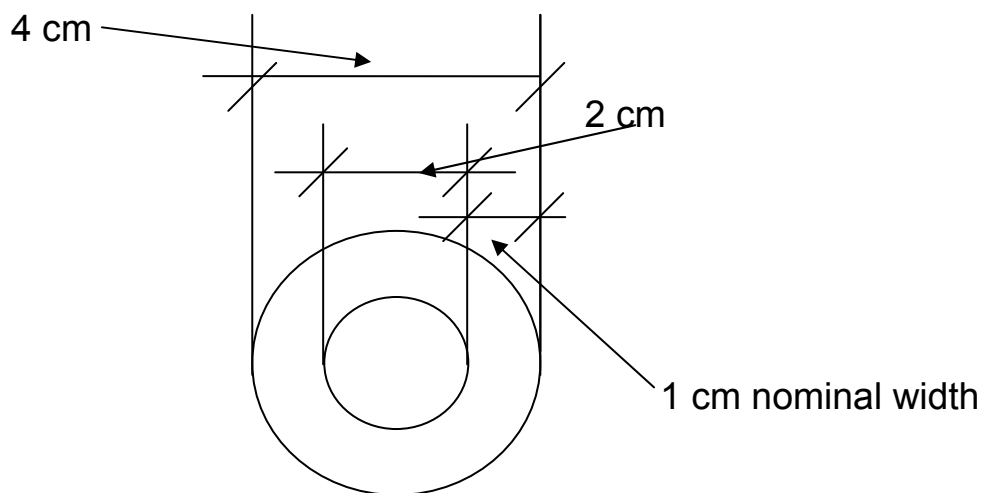
FITA Rules currently determine the maximum diameter of arrows for all disciplines shall be a maximum of 9.3 mm, and the points 9.4 mm diameter.

During a recent major tournament, the question arose as to how to determine the value of an arrow in the Compound Bow Division when the arrow is close to the 10 (2cm) ring. Allowing for the possibility of the dividing line missing altogether or being badly distorted inwards; and given the size of the next 4 cm ring relative to the arrow diameter (9.3 cm) the space between the rings is 1 cm (10 mm). With these factors in mind, the opinion was expressed a way of determining the arrow value would be to not only endeavour to take into consideration the inner dividing line; but also the outer line, ie is the arrow touching or breaking this line?

Now, before providing the correct solution or procedure to this situation, consideration must be given to the tolerances expressed in the FITA Rules (Book 3 Indoor Target Archery Rules, Clause 8.2.1.3 page 5). The tolerances for all zones on the 40 cm diameter target face are  $\pm 1$  mm. Supposing the arrow diameter is 9.3 mm, it is now possible to take into consideration the following three scenarios:

1. 10 mm zone
  - 1mm line thickness **THE IDEAL SITUATION**
  - 9 mm space between the two rings
  
2. 10 mm zone
  - 1mm tolerance
  - 1mm line thickness
  - 8 mm space between the two rings
  
3. 10 mm zone
  - + 1 mm tolerance
  - 1 mm line thickness
  - 10 mm space between the two rings

Obviously It would not be possible to take into consideration the target face tolerances due to these possible variations. The other scenario of course is the possibility the dimensions are out of tolerance.



*As members of the Tournament Judges Commission are required to determine the value of arrow close to a higher scoring zone, the only practical solution to this situation is to completely ignore the outer (4 cm) ring when making a decision on an arrow value close to the centre (10) ring. As can be seen by the above scenarios, an arrow 9.3 mm diameter touching the line of the 4 cm ring is meaningless.*

## Amendments to the Judges Manual

### Page 10 – Accreditation cards

Please cross this part out, as separate accreditation cards are no longer issued.

### Page 13 – Dress and equipment

Please glue the part below into your manuals instead of the current paragraph:

The basic uniform for AA Judges is as follows:

1. The official Judges shirt (available through the Chairperson of the Officials Committee)
2. King Gee Fawn/Yakka Putty trousers (skirt or shorts)
3. White or brown shoes.
4. If a hat is worn, it is to be white or fawn, unless a specific hat is provided by the Organising Committee.

## Australian Youth Olympic Festival

Attached is a nomination form for officiating at the archery event of the Australian Youth Olympic Festival in Sydney in January next year. Please consider and reply by the closing date.

### You be the Judge - Answers from Issue 43

*The table below gives an indication of the number of Judges in each society at the time of issue 43 and the number of replies received:*

Society	Judges	Replies	Society	Judges	Replies
AACT	4	3	ASA	14	13
ASNSW	11	5	AV	20	5
AST	7	4	SQAS	8	5
ASWA	9	3	NQAA	6	2

*Total: Judges: 79      Replies: 40      Proportion: 51%*

***We broke the 50% mark!***

*Can we keep this as the benchmark for this reaccrditation period! Well done!*

**43/1:** During team match-play, when the second archer in the team crosses the 1 meter line too soon. *What is the action of the assigned Judge?*

**All but one replies were correct in stating the judge will raise the yellow card or switch on the yellow light; however only seven judges gave a fully satisfactory answer by saying the judge will also step forward to the 1m-line and call the name of the offending team. This procedure is important to ensure the team in question has every chance of noticing the card.**

**43/2:** During the elimination round one of the archers shooting at target 14 releases his string and his arrow falls on the ground approximately three meters in front of the shooting line. The nock of this arrow was obviously broken. The archer judges from his position on the shooting line that the arrow is lying inside the three-meter area, and so considers it as not having been shot. Then he realizes that he does not have an extra arrow in his quiver and runs back to the rest area to pick up a new arrow. When he returns to the shooting line he draws his bow and shoots this arrow one second after the time limit. His opponent in this match calls the judge to verify that the arrow on the ground was outside the three-meter area. The judge in question agrees that the arrow was actually shot because no portion of it is found in the area. The values of the arrows on the target are: 10, 9, 9, 8, 7, 1.

*What should the score for archer in this end?*

**The score will be 9, 8, 7, 1, M, M. The arrow out of the 3m zone scores a M. for the arrow shot out of time the archer loses the highest scoring arrow (that arrow becomes a M – it does not disappear); leaving seven values, but only the six lowest ones count.**

**31 judges got this right – if you are not amongst them, please read up on rules for scoring.**

**43/3:** An archer has an equipment failure at the 50 meters distance. At the end the distance, she is allowed an additional 15 minutes to shoot her remaining arrows. She asks to be allowed to shoot two ends of three arrows before scoring, so she can possibly make up a total of fifteen arrows before her 15 minutes expire. The judges agree to allow her to do so.

*Do you agree with the judges' decision?*

**Replies were split here, but there seems have been some confusion: she did not ask for practice ends, but to shoot two lots of three arrows, and then score, shoot another two lots of three arrows, etc, so that she can fit more make-up arrows into the allowed 15 minutes.**

**Those that said that make-up arrows must be shot in the same order as during the actual competition were correct.**

**43/4:** A power failure occurs at a FITA Star Tournament, and it is necessary to give time signals with flags. A DoS assistant is in charge of raising flags on the right side of the field. For some reason he fails to raise the yellow flag on the right time, and does so only when there are 14 seconds left. An archer cannot shoot his last arrow because the whistle is blown when he is at full draw. He claims to the judges that the yellow flag was up for much less than 30 seconds, and asks for time to shoot his arrow.

*You are one of the judges at this tournament. What would you do?*

**All but four judges would allow the competitor to shoot this arrow, but where some of you got the extra time from (30 seconds or 16 seconds.....). The archer must be given 40 seconds to shoot his arrow, because he is entitled to 30 seconds warning, according to a FITA interpretation, which was published in this newsletter.**

**43/5:** At a larger indoor event, the light went out due to power failure in the middle of an end. The shooting hall became suddenly completely dark. When the light returned, the situation was that one archer had completed his end, some had one arrow left, some had two arrows left and one archer had not started his shooting. Three archers claimed that they were aiming when the light disappeared and shot in confusion. They wanted to shoot again.

*How do you solve the problem(s)?*

**Some judges would have the end re-shot. Despite this seeming to be the simplest reason – UNDER NO CIRCUMSTANCES ARE ARROWS TO BE RE-SHOT!**

**The FITA judge committee would organise the shooting of the not yet shot arrows in groups: 120 sec for those with three arrows, 80 sec for those with two arrows and 40 sec for those with 1 arrow left.**

**Some judges suggested to give everyone the full time limit to shoot their remaining arrows, as this would be logistically simpler; I personally would not have a problem with this, either. But arrows shot at the moment the light went out will score as they lie in the target – again: NO RE-SHOOTING!**

**43/6:** An archer raises his bow arm before the start shooting signal is given, but he releases his shot immediately after the sound of the start signal can be heard. The nearest judge approaches the archer at the scoring and deducts the highest scoring arrow of the archer. However, the archers protest.

*What do you think about the judge's action ?*

**All but two judges correctly stated the judge was wrong. As the archer only raised his bow arm, but did not shoot an arrow, there is no deduction of points, only a warning. As judges, we must not invent penalties.**

## You be the Judge (Case studies)

Please have your answers with RGB administrators by mid August, who in turn are asked to collate and forward replies by the end of August. Alternatively, judges can e-mail me their answers directly (but inform your RGB administrator, you have done so). **Please make sure you put your name on the sheet with the answers!** Last time I had a couple without, which makes it difficult for record purposes.

**44/1:** At an indoor tournament an archer shoots two arrows into the upper face (9 and 8) and two arrows into the lower face (10 and 7).  
*What is the correct score?*

**44/2:** A judge behind the shooting line is sure that an archer has shot her last arrow out of time. The DoS, however believes that the arrow was shot within the time limit.  
*What happens?*

**44/3:** As a judge you are called to a target to decide the value of two arrows which are embedded in the target. The nocks are not visible, and no unmarked holes can be identified.  
*How do you go about this?*

